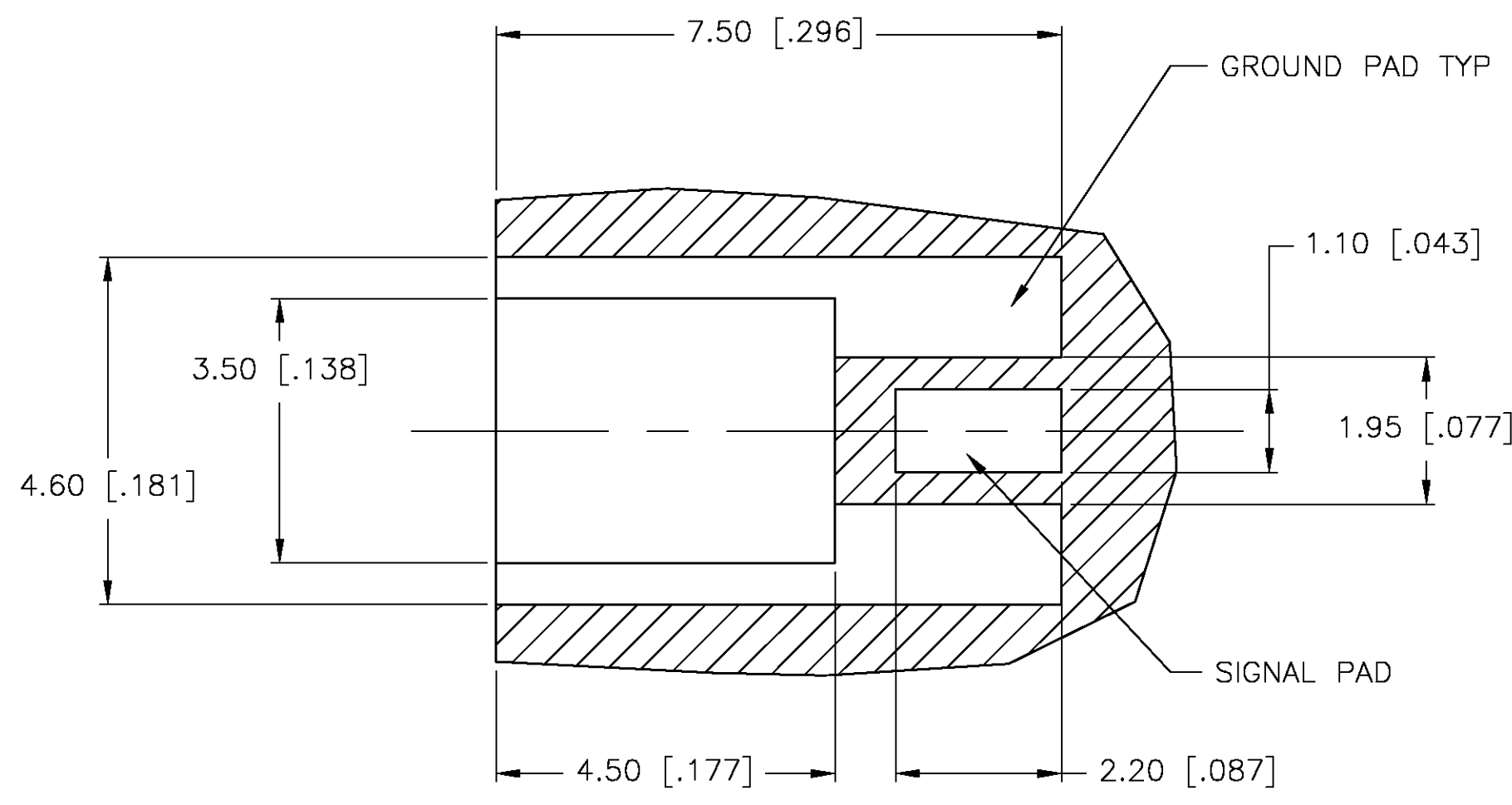
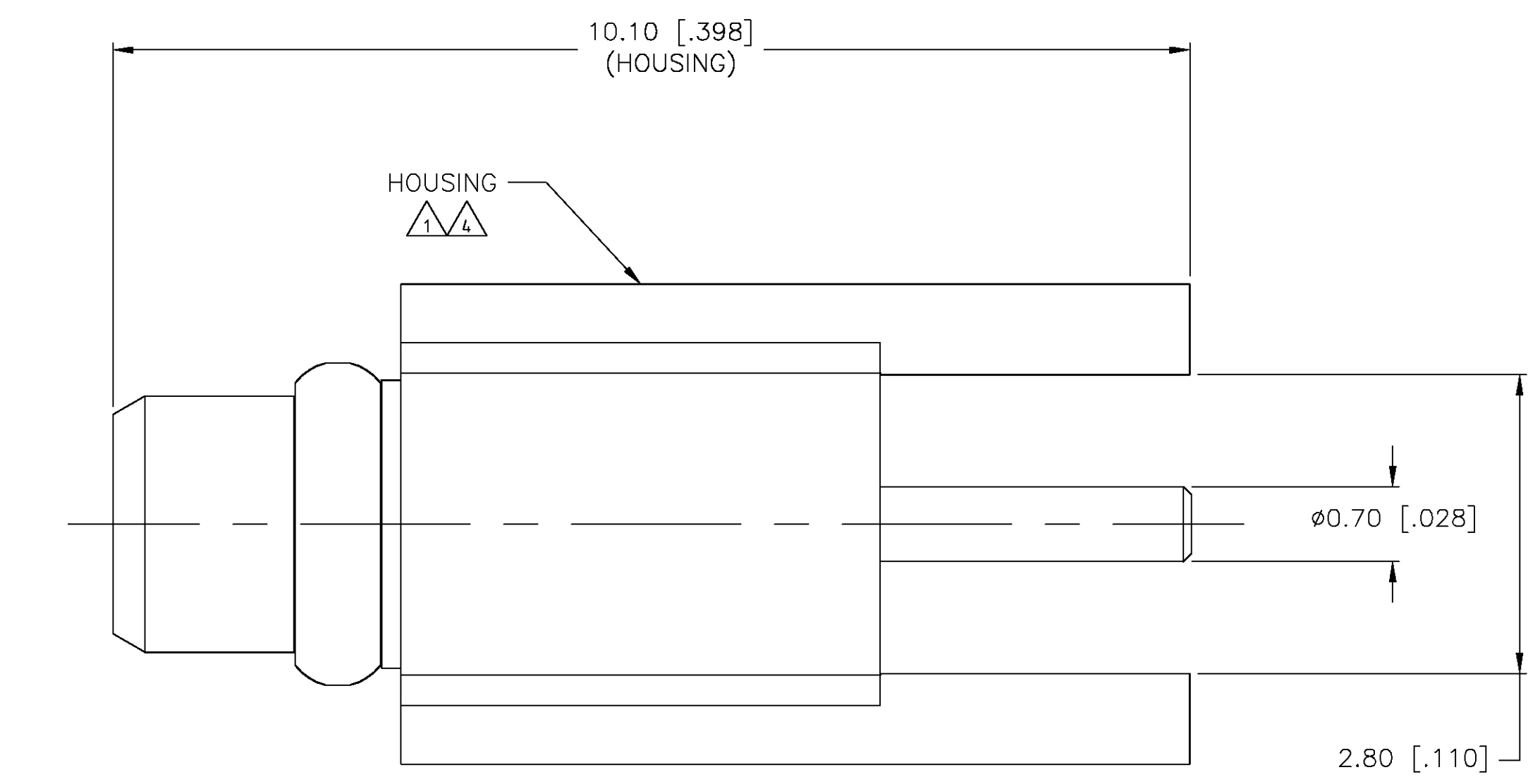
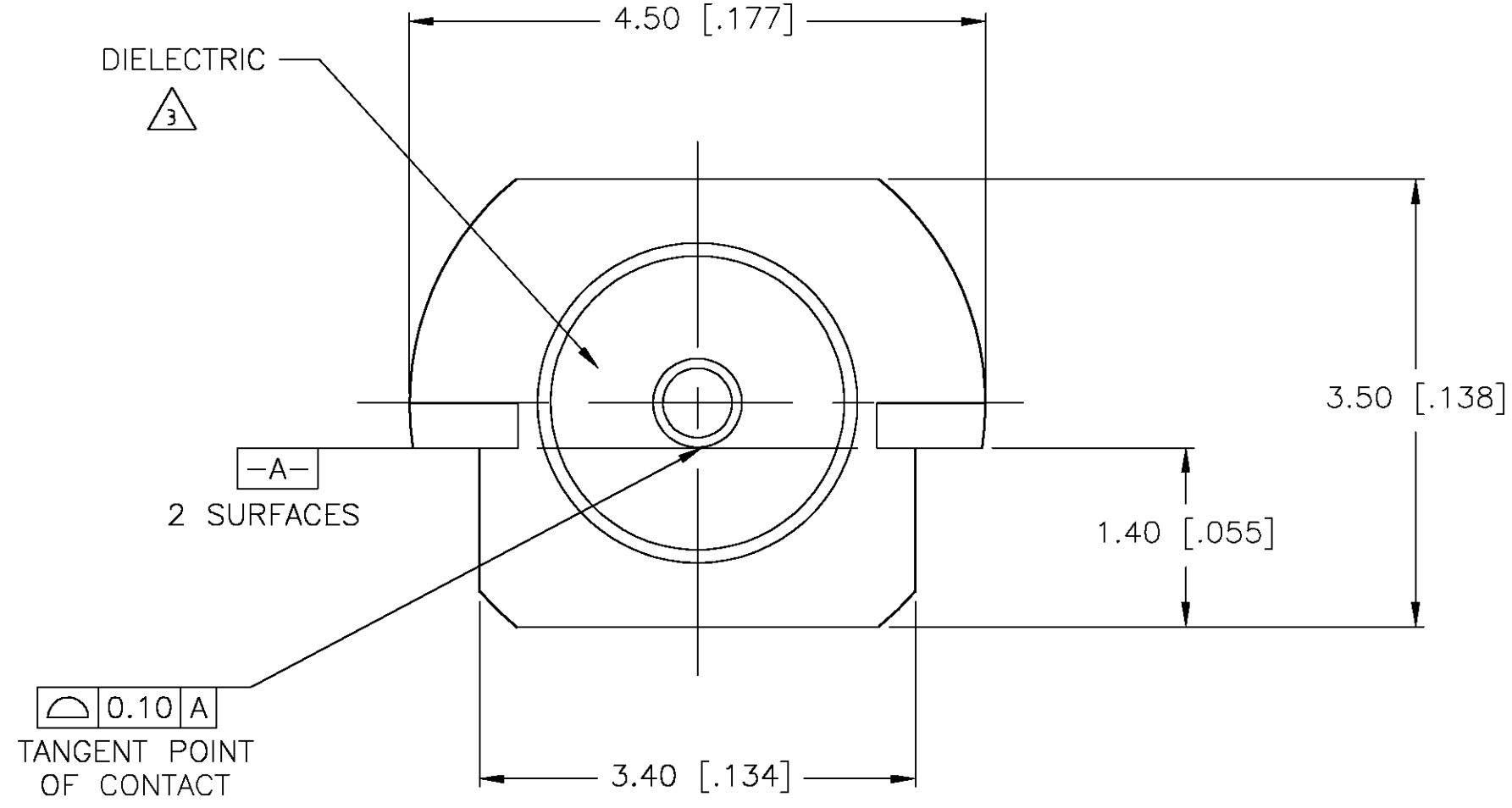
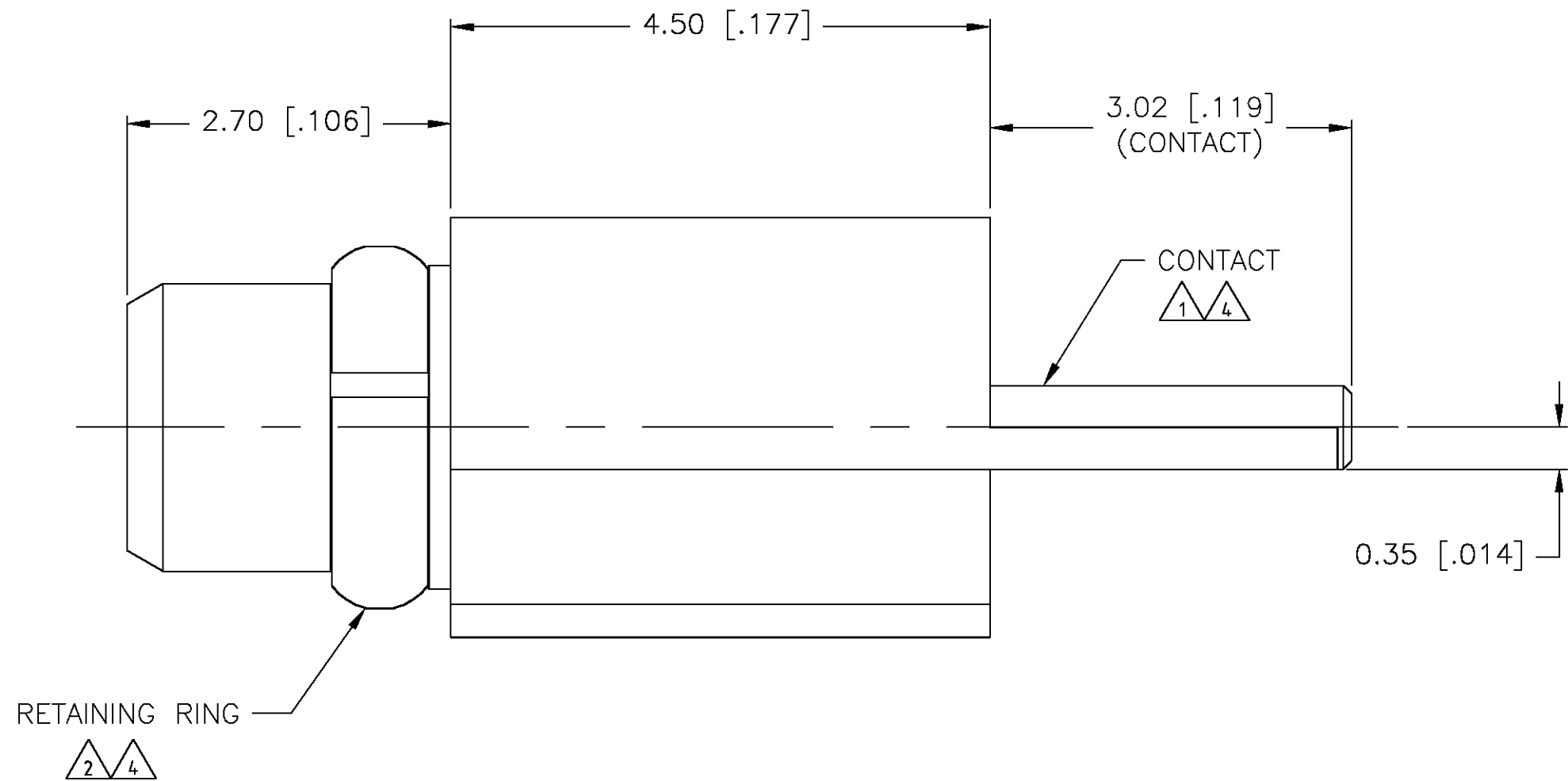


THIS DRAWING IS UNPUBLISHED. RELEASED FOR PUBLICATION  
 © COPYRIGHT BY TYCO ELECTRONICS CORPORATION. ALL RIGHTS RESERVED.

Loc		DIST		REVISIONS			
P	LTR	DESCRIPTION		DATE	DWN	APVD	
AJ	-	B	REV PER	0514-0018-03	27JAN03	KW	KW



SOLDER PAD CONFIGURATION ONLY  
(SCALE 12:1)

- △1 BRASS PER ASTM-B-16
- △2 BERYLLIUM COPPER PER ASTM-B-196
- △3 PTFE PER ASTM-D-1710
- △4 GOLD PLATE PER MIL-G-45204

1408120-1  
PART NUMBER

THIS DRAWING IS A CONTROLLED DOCUMENT.		DWN	17DEC2001	<b>tyco</b> Electronics		Tyco Electronics Corporation Middletown, PA 17057	
DIMENSIONS: MM [INCHES]		CHK	02NOV00				
TOLERANCES UNLESS OTHERWISE SPECIFIED:		APVD	02NOV00	NAME			
0 PLC	± -	PRODUCT SPEC		MMCX EDGE LAUNCH PCB PLUG			
1 PLC	± 0.26 [.010]	APPLICATION SPEC		108-2084			
2 PLC	± 0.13 [.005]	MATERIAL		SIZE	CAGE CODE	DRAWING NO	RESTRICTED TO
3 PLC	± -	FINISH		0.20G/.007 OZ	A2	00779	1408120
4 PLC	± -	MATERIAL		CUSTOMER DRAWING		SCALE	SHEET
ANGLES	± 1	MATERIAL		CUSTOMER DRAWING		20:1	1 OF 1
FINISH	-	MATERIAL		CUSTOMER DRAWING		SCALE	SHEET
		MATERIAL		CUSTOMER DRAWING		20:1	1 OF 1
		MATERIAL		CUSTOMER DRAWING		20:1	1 OF 1